



Buffet / Galley Connectors

Connectors, Receptacles & Plugs



cinch
CONNECTIVITY SOLUTIONS
a bel group

+1 305.234.1000
cinch.com

Buffet/Galley Connectors

The Buffet (Galley) Connectors are recognized as the industry standard by airframe and Galley equipment Manufacturers worldwide.

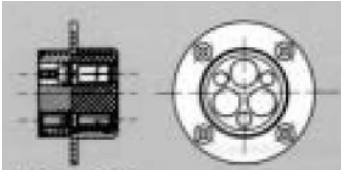
Cinch Connectivity Solutions is a leader in quality and innovation in manufacturing this extensive line of connectors.

Manufactured using FAA approved Quality Assurance Procedures (FAR Part 2). Cinch's Buffet (Galley) Connectors have PMA designations.

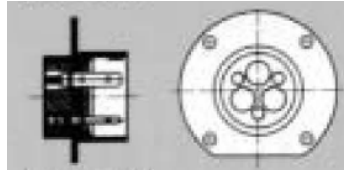


Cinch Connectivity Solutions produces high quality products. These products are intended to be used in accordance with the specifications described in this catalog. Any use or application that deviates from the stated operating specifications is not recommended and may be unsafe. A limited warranty is applicable. Except for obligations assumed by Cinch Connectivity Solutions under warranty, Cinch will not be liable for any loss, damage, repairs, incidental or consequential damages of any kind, whether or not based upon expressed or implied warranty, contract, negligence, or liability arising from the application or manufacture or repair of these products. This catalog is not a contractual offering; it is for informational purposes only.

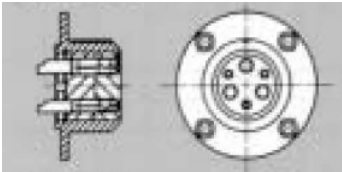
Connectors, Receptacles & Plugs



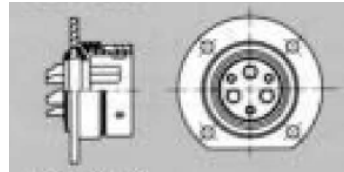
ACR-6-33



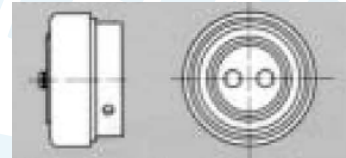
ACR-6-34



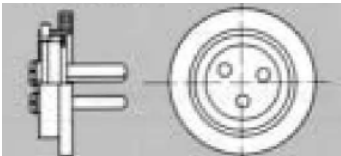
ACC-6-33



ACC-6-34



AC16534/-1



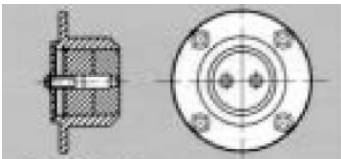
AC16706-1/-2/-5



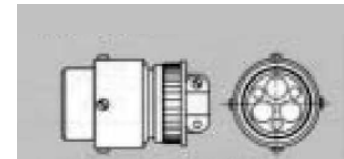
AC16813



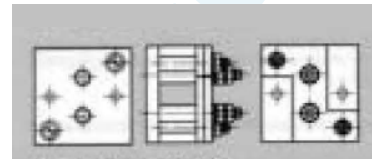
AC16707/-2



AC16371



ACC-6-21CG-3/4



AC13303/-1/-2

A Manufacturer of Quality Connectors

PART NUMBER CROSS REFERENCE

RECEPTACLES		PLUGS	
Cinch	ITT CANNON	Cinch	ITT CANNON
ACIH-33 (CIUIIPJ)	Not Available	ACR-6-34 (CRIMP)	Not Available
ACC13303-2	CA13303-2	ACC-6-34	BUC-6-34
ACC13303-1	CA13303-t	AC16706-5S'	Not Available
ACC13303	CA13303	AC16706-5	CA16706-5
ACC-6-33	BUC-6-33	AC16706-1S'	Not Available
ACC-6-21 CG-3/4	BUC-6-21CG-3/4	AC16706-1	CA16706-1
AC16707-2	CA16707-2	AC16534-1S'	Not Available
AC16707	CA16707	AC16534-1	CA16534-1
AC16371	CA1637t	AC16534	CA16534
		AC16113	CA16813

MATING GUIDE

RECEPTACLES (SOCKET CONTACTS)	PLUGS (PIN CONTACTS)										
	ACR-6-34 (CRIMP)	ACC-6-34	AC16706-5S'	AC16706-5	AC16706-1S'	AC16706-1	AC16534-1S'	AC16534-1	AC16534	AC16113	AC16706-2
ACR-6-33 (CRIMP)	X	X									
ACC-6-33	X	X									
ACC-6-21 CG-3/4	X	X									
AC16707					X	X					X
AC16707-2			X	X							
AC16371							X	X	X	X	
ACC13303											
ACC13303-1											
ACC13303-2											

*NOTE • = Stainless Steel Shell

*ACC-and are registered trademarks of Cinch Connectivity Solutions

Electrical Data

Termination Type:

ACA =Crimp

AC, ACC = Solder or Screw-Post

(Screw size = No. 4 or No. 2 as shown for applicable connector)

Materials and Finishes:

Shells: Steel, Brass, or Aluminum
(finish as noted per connector)

Contacts: Copper Alloy, Silver Plated

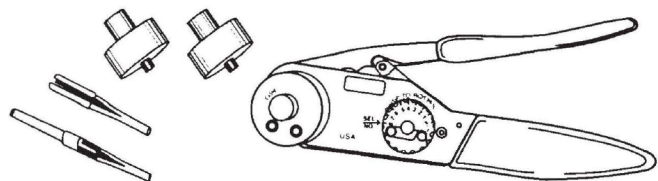
Operating Voltage:

28 VDC, 120 VAC

Termination Tooling

CONTACT PIN	DESCRIPTION	ACRTC01 SETTING
806-0599-130	#10P-10 AWG	8
857-0591-130	#10S-10 AWG	8
806-0599-130/A	#10P-12-AWG	5
857-0591-130/A	#10S-12 AWG	5
806-0599-130/B	#10P-14/16 AWG	5
857-0591-130/B	#10S-14/16 AWG	5
806-0598-130	#4P-14/16 AWG	5
85 7-0590-130	#4S-14/16 AWG	5

USED WITH ACRTC01



ACRTC01 TOOL KIT

PART NUMBER OR IDENTIFYING NUMBER	NOMENCLATURE DESCRIPTION
ACRTC01	CRIMP TOOL
ACRTC01/A	ADAPTER
ACRTC01/B	ADAPTER
ACRTC01 /C	ADAPTER
M81969/14-05	PLASTIC REMOVAL TOOL
M81969/14-06	PLASTIC REMOVAL TOOL

Cinch Connectivity Solutions produces high quality products . These products are intended to be used 1n accordance with the specifications described in this catalog Any use or apphcat1on that deviates from the stated operating spec1hcat1ons is not recommended and may be unsafe A limited warranty is applicable. Except for obl igation assumed by Cinch Connectivity Solutions under warranty.

Cinch will not be liable for any lou. damage, repairs, incidental or consequential damages of any kind, whether or not based upon expressed or implied warranty, contract, negligence, or liability arising from the application or manufacture or repair of these products. This cata log is not a contractual offeng : 1t 1s for 1nformat1onal purposes only.

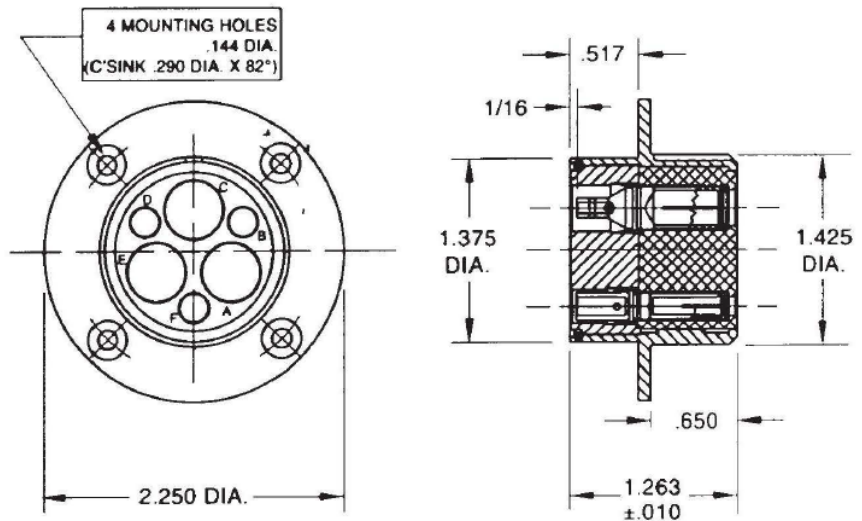


ACR-6-33/ * ACR-6-33/B

(B=Without Socket Contacts)

A six-contact Receptacle, ACR-6-33 has an aluminum alloy shell with anodized finish. Insulating material is PPS. Three #4 socket and three #10 socket crimp contacts are silver plated brass with crimp terminations.

NOTE: Shown with contacts installed for illustrative purposes only.



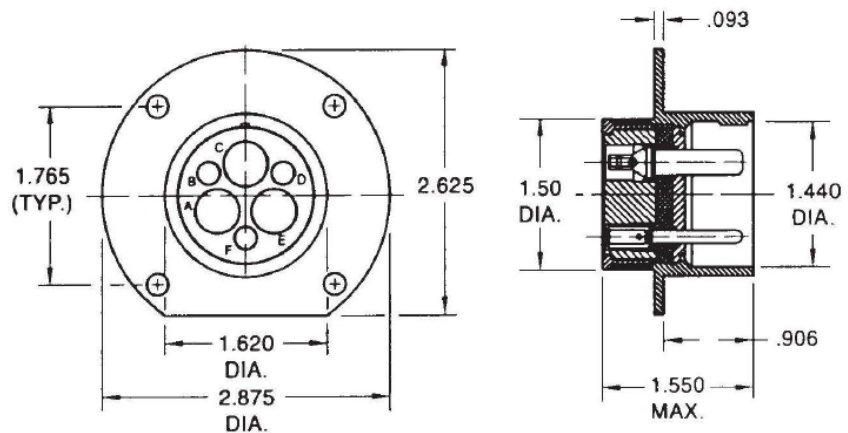
ACR-6-34/ *

ACR-6-34/A

(A=Without Pin Contacts)

A six-contact Plug, ACR-6-34 has an aluminum alloy shell with anodized finish. Insulating material is PPS. Three #4 pin and three #1 O pin crimp contacts are silver plated brass with crimp terminations.

NOTE: Shown with contacts installed for illustrative purposes only.



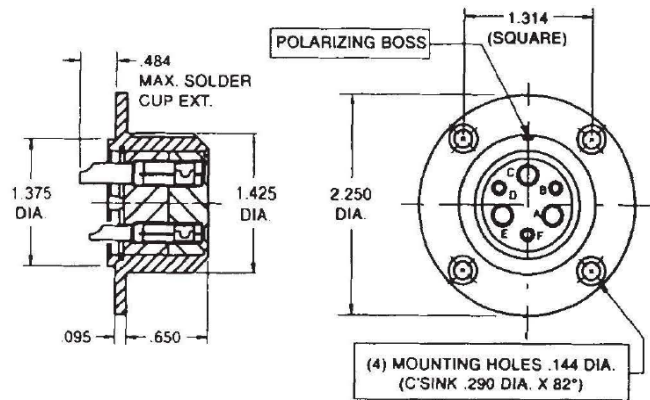
Contact Selector Guide

/*	Quantity	Contact Gauge	Crimp well WireAWG	ACR-6-33 Socket Contact Part No.	ACR-6-34 Pin Contact Part No.
/1	1	10	10	857-0591-130	806-0599-130
	2	10	14/16	857-0591-130/B	806-0599-130/B
	3	4	14/16	857-0590-130	806-0598-130
/2	2	10	10	857-0591-130	806-0599-130
	1	10	14/16	857-0591-130/B	806-0599-130/B
	3	4	14/16	857-0590-130	806-0598-130
/3	3	10	10	857-0591-130	806-0599-130
	3	4	14/16	857-0590-130	806-0598-130
/4	3	10	14/16	857-0591-130/B	806-0599-130/B
	3	4	14/16	857-0590-130	806-0598-130

* ACC™ -6-33

A six-contact Receptacle, ACC-6-33 has an aluminum alloy shell with anodized finish. Insulating material is PPS. Three #4 socket and three #10 socket contacts are silver plated brass solder cup termination.

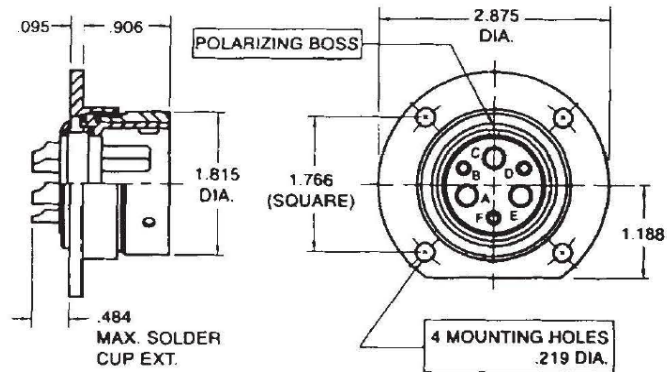
*see part ACR-6-33 for crimp termination equivalent.



* ACC™ -6-34

A six-contact Panel Mount Plug, ACC-6-34 has an aluminum alloy shell with anodized finish. Insulating material is PPS. Three #4 pin and three #10 pin contacts are silver plated brass with solder cup termination.

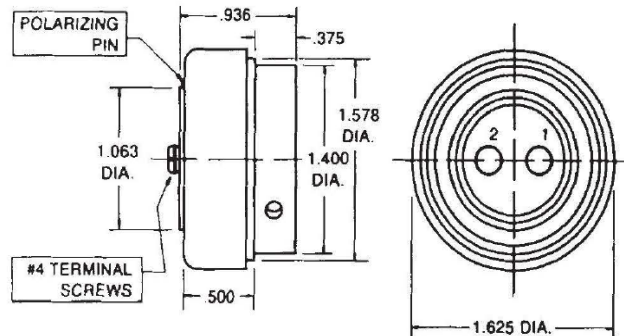
*see part ACR-6-34 for crimp termination equivalent.



AC16534

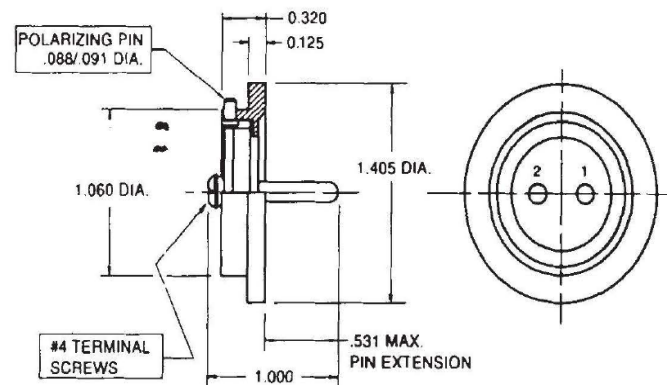
A two contact Plug, AC16534 has a stainless steel shell with natural finish. Insulating material is PPS. Brass contacts are silver plated. Screw-type termination.

NOTE: Consult factory for availability.



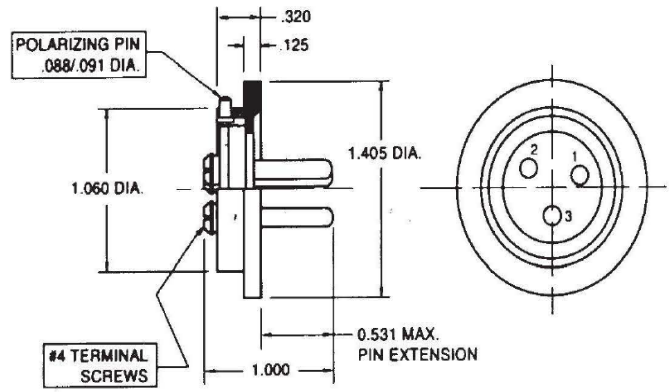
AC16534-1

A two contact Plug, AC16534-1 has a nickel plated brass shell. Insulating material is PPS. Brass contacts are silver plated. Screw-type termination. Also available in stainless steel as part number AC16534-1 S.



AC16706-1

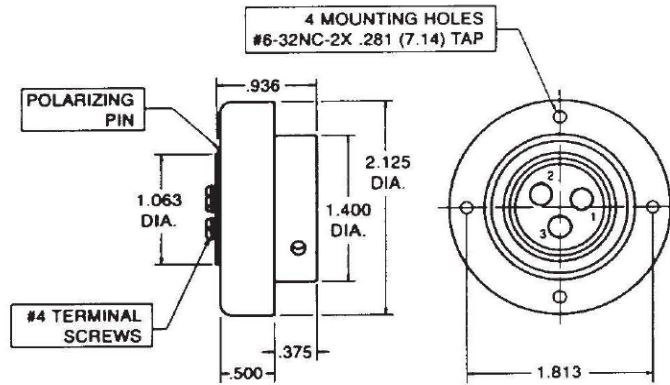
A three contact Plug, AC16706-1 has a nickel plated brass shell. Insulating material is PPS. Brass contacts are silver plated. Screw-type termination. Also available in stainless steel as part number AC16706-1 S.



AC16706-2

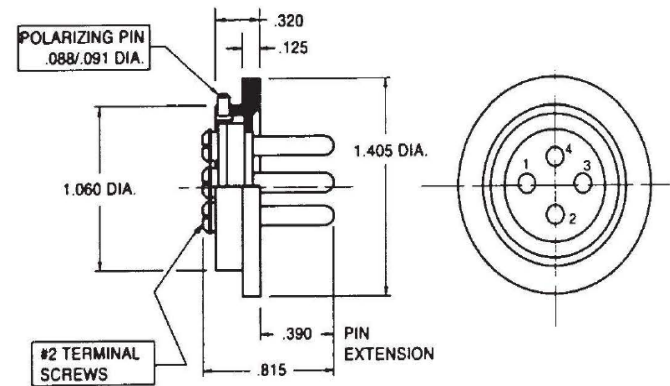
A three contact Plug, AC16706-2 has a nickel plated brass shell. Insulating material is PPS. Brass contacts are silver plated. Screw-type termination.

NOTE: Consult factory for availability.



AC16706-5

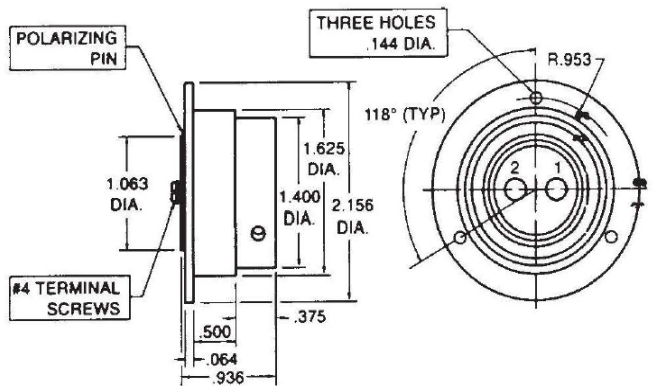
A four contact Plug, AC16706-5 has a nickel plated brass shell. Insulating material is PPS. Brass contacts are silver plated. Screw-type termination. Also available in stainless steel as part number AC16706-5S.



AC16813

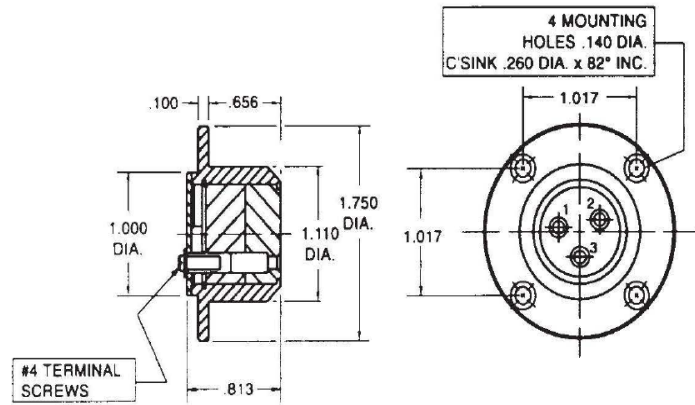
A two contact Plug, AC16813 has a stainless steel shell with natural finish. Insulating material is PPS. Brass contacts are silver plated. Screw-type termination.

NOTE: Consult factory for availability.



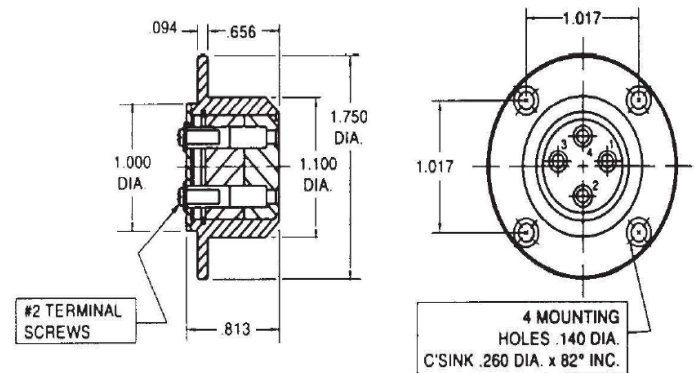
AC16707

A three contact Receptacle, AC16707 has a stainless steel shell with natural finish. Insulating material is PPS. Brass contacts are silver plated. Screw-type termination.



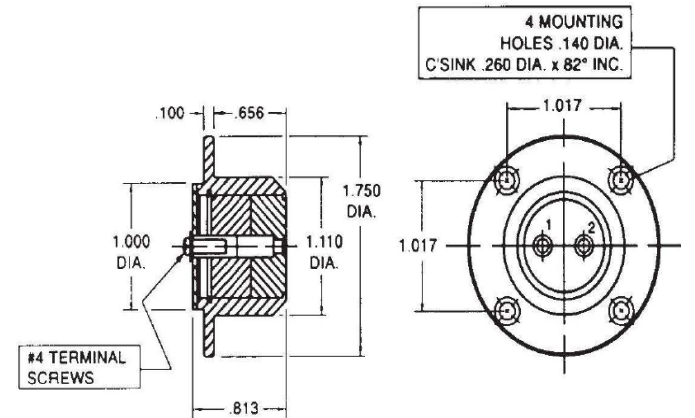
AC16707-2

A four contact Receptacle, AC 16707-2 has a stainless steel shell with natural finish. Insulating material is PPS. Brass contacts are silver plated. Screw-type termination.



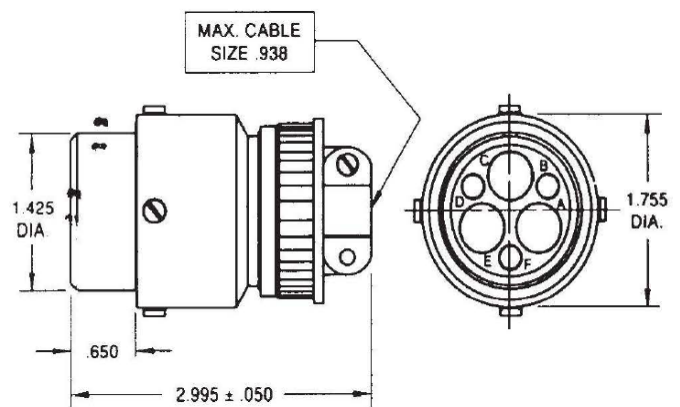
AC16371

A two contact Receptacle, AC 16371 has a stainless steel shell with natural finish. Insulating material is PPS. Brass contacts are silver plated. Screw-type termination.



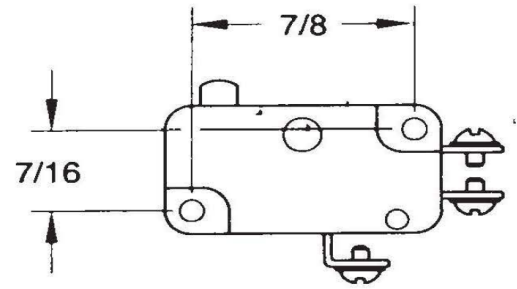
AC™ 16813

A six contact Receptacle, ACC-6-21CG-3/4 has an aluminum alloy shell with anodized finish. Insulating material is PPS. The three #4 Socket and three #10 Socket Contacts are silver plated brass with solder cup termination.



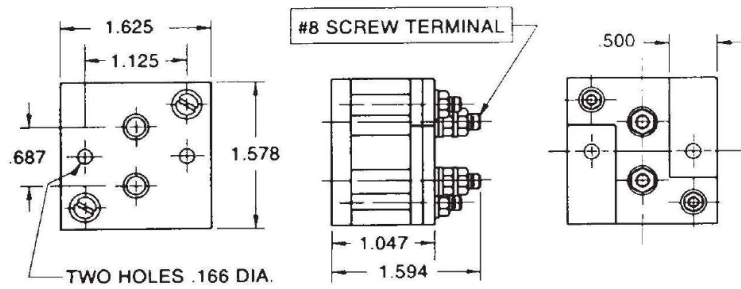
Limit Switch

Both AC13303-1 and AC13303-2 may be used with a limit switch, (AN3134-1 or MS25253-1) supplied by the customer. If a limit switch is to be supplied by Cinch, the connector part number will read AC 13303-1 LS or AC 13303-2LS.



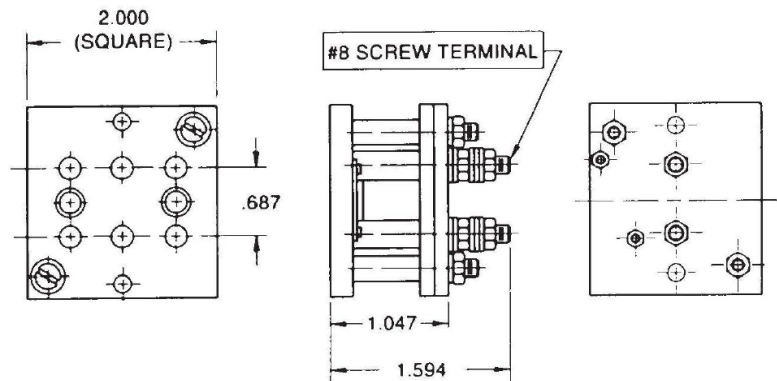
AC13303

AC13303 is a Warmer (Hot cup) panel-type Receptacle. The insulating material is made of fabricated phenolic.



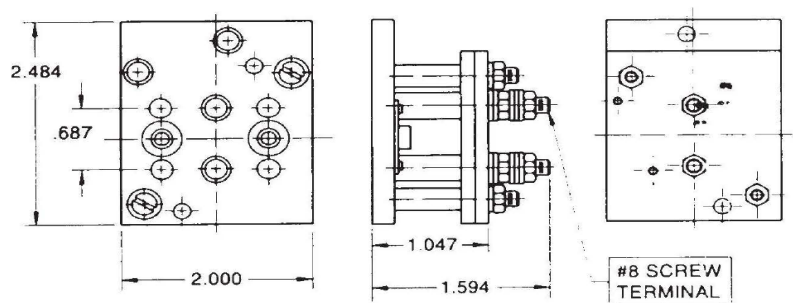
AC13303-1

AC13303-1 is a Warmer (Hot cup) panel-type Receptacle. The insulating material is made of Melamine for higher temperature resistance. It is supplied with an actuator for a limit switch.



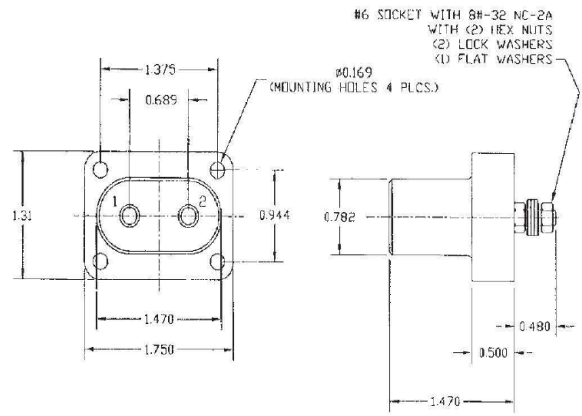
AC13303-2

AC13303-2 is a Warmer (Hot cup) panel-type Receptacle with a longer base. The insulating material is made of Melamine for higher temperature resistance. It is supplied with an actuator for a limit switch.



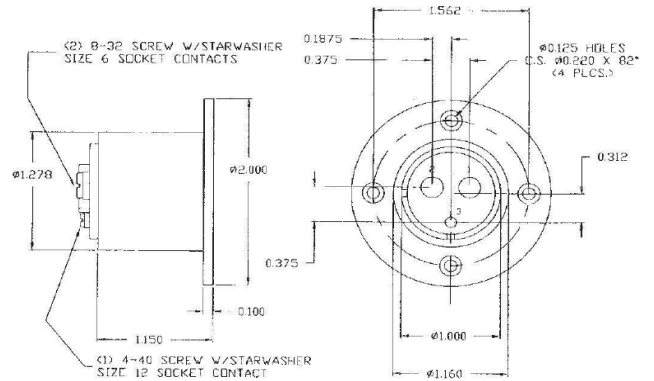
AC16099

AC16099 is a two contact (Hot jug) panel-type Receptacle. The insulating material is a black thermoplastic. The contacts are copper alloy, silver-plated with screw-type termination.



ACHC-3-13

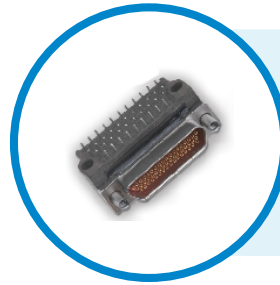
A three contact Receptacle, ACHC-3-13 has an aluminum alloy shell with anodized finish. The 2 #6 and 1 #12 socket contacts are copper alloy, silverplated. Screw-type termination.



Other Quality Connectors



QPL'd MIL-C-5015 &
Special Connectors
for Commercial Applications



Dura-Con
Microminiature-D Connectors



QPL'd MIL-C-26482 Series I
Solder and Crimp Connectors



Quick Disconnect Connectors
Solder and Crimp Types



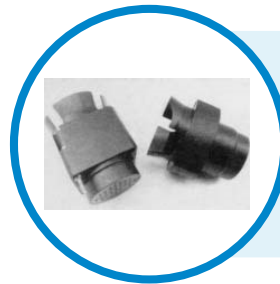
Buffet/Galley Connectors
Solder and Crimp Connectors



Expanded Beam Fiber
Optics



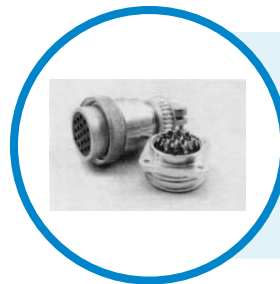
Filtered Connectors
Solder and Crimp Connectors



Special Cryogenic
Connectors



Omega
MIL-C-26500 - Cylindrical Connectors



Rugged Acme Thread
Connectors
for Industrial Electrical Equipment



Proven Excellence

In operation since 1917, Cinch supplies high quality, high performance connectors and cables globally to the Aerospace, Military/Defense, Commercial Transportation, Oil & Gas, High End Computer, and other markets. We provide custom solutions with our creative, hands on engineering and end to end approach.

Our diverse product offerings include: connectors, enclosures and cable assemblies utilizing multiple contact technologies including copper and fiber optics. Our product engineering and development activities employ cutting edge technologies for design and modeling, and our various technologies and expertise enable us to deliver custom solutions and products for our strategic partnerships. We also serve a broad range of commercial markets, largely through our highly efficient distribution network.

We aim to exceed our customer's expectations, and to continually provide innovative solutions to the rapidly changing needs of the markets, and customers, we serve.

Cinch Connectivity Solutions

Cinch Connectivity Solutions
12400-8 S.W. 134th Court
Miami, Florida 33186 USA
+1 305.234 1000
inquiry@cinch.com
cinch.com

